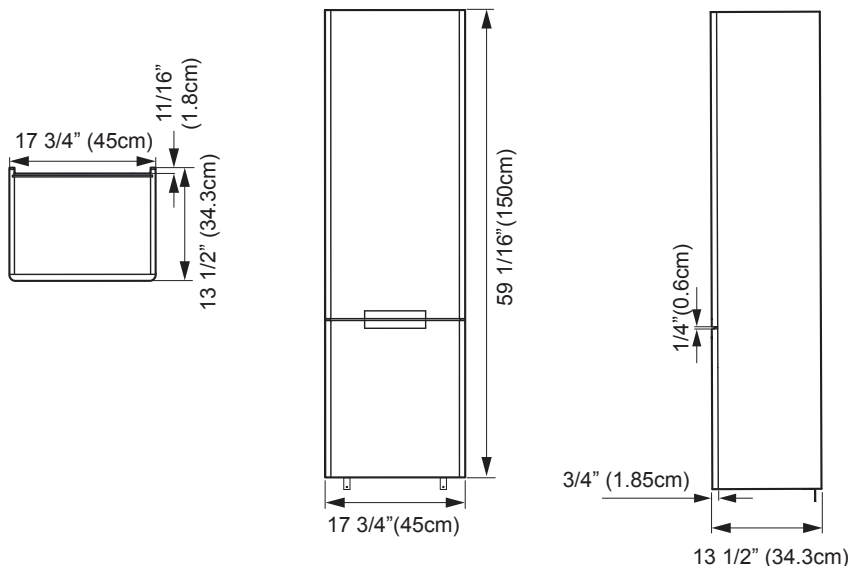


315971N-G95

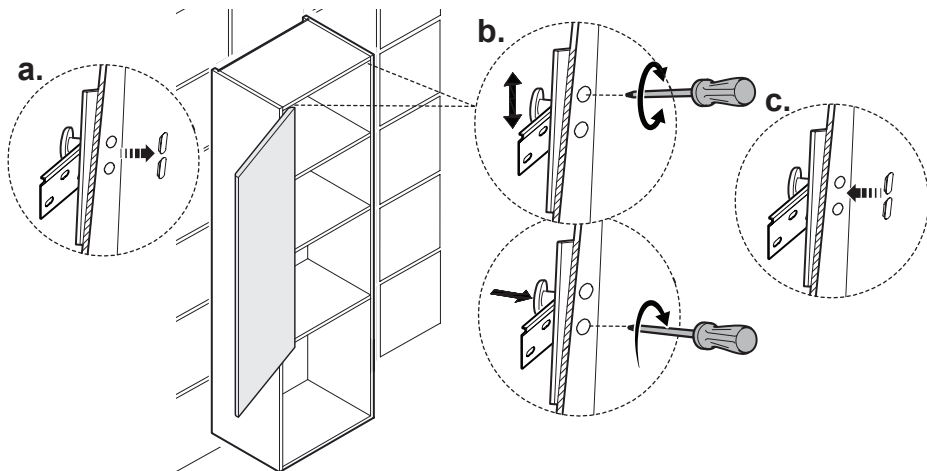
PRODUCT DIMENSIONS



- All dimensions are in Inch(cm).
- Product illustrations shown are representative only; actual products may vary.

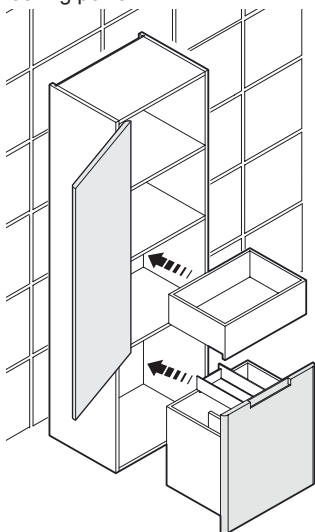
5

Hang the tall unit on metal strip and check the level by spirit level, if needed adjust by allen key. Also screw tall unit on L-bracket with wooden screws both side.



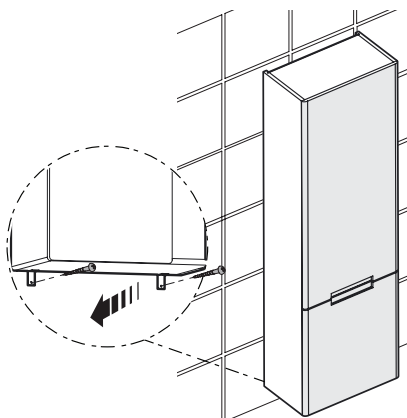
6

Insert the both drawers over the slide and they automatically locked at its locking point.

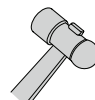
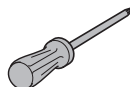
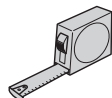
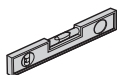


7

Fix tall unit from the bottom with the help of L-bracket on pre marked location.



TOOLS REQUIRED



CARE AND CLEANING

BATHROOM FURNITURE

Thank you for choosing Kohler furniture. If installed and cared for as indicated, this piece will last for many years. The guarantee only applies to products that are installed and maintained according to the care and installation instructions below.

General Recommendations

- Please check that the furniture has no defect prior to installation. Any complaint made regarding such an issue after installation will be rejected.
- Though Kohler cabinets are resistant to water and humidity but protection from water and humidity will increase the life of the product. Therefore, take care of the product as below:
- As with any furniture with wood fiber panels, an overly-high level of humidity may damage the product. All furniture must be installed in a well-ventilated bathroom.
- Always use a shower door or curtain and wipe off splashes immediately.
- Any product likely to come into contact with water should be protected with a silicon-based seal product (i.e., in places where the product comes into contact with a tiled floor or is against a tiled wall). Wipe off water splashes immediately.
- If for any reason the furniture must be cut or drilled when installing, waterproof sharp edges with varnish or oil-based paint to prevent water seepage.
- After installation, remove all sawdust and clean drawer runners.
- All products should be installed by a skilled individual.
- Electrical connections should be performed by a qualified electrician, in compliance with the most recent local wiring regulations in effect, with particular attention to zones inside the bathroom.
- Note that products in wood veneer are natural and therefore all will differ. Natural wood is likely to change slightly in color with time due to exposure to UV rays. This is a natural process which is considered to be a part of the appeal and esthetics of veneered wood, and lends a uniqueness to each product.

Daily care and use

- Dry off excess moisture with a towel or soft cloth, taking special care with the furniture edges.
- Never use detergents, bleach or abrasive cleaning products which could damage the product coating. Always test on a discrete area beforehand. Do not use wax-based polishing products which could alter the furniture's lacquer finish.
- Do not leave a damp towel on the furniture. This could damage the product coating and cause mold or bacteria to proliferate.
- Do not lean against or hang on handles or doors.

Caution! Electric lightbulbs can get hot. Never touch them with wet hands. Always unplug the spotlight from the outlet before replacing a used lightbulb.

- When replacing a lightbulb, always use the appropriate type and strength. Use a cloth to avoid transferring grease spots to the new bulb and adversely affecting its performance.
- Never leave the furniture door directly open under a light fixture so heat will not accumulate.

Glass surfaces

- Do not strike the glass with a hard or sharp object.
- Do not place an extremely hot or cold object against or near glass surfaces except if a suitable thick, insulating material is used to prevent direct contact.
- If the glass is chipped or broken, replace it immediately. For further information about replacing glass or other components, please contact our Technical departments.

Furniture Materials:

Glass (Mirror)

Description

This clear, hard, fragile, hygienic material is made from sand and potassium or sodium.

Daily care

Clean with a cloth as you would with any other glass surface.

Melamine and laminate

Description

Laminate: Coating made of layered brown paper sheets (often 3), covered with a sheet of decorative paper glued to a wood conglomerate panel (made of wood fibers that are shredded, mixed with a binder and pressed).

Melamine: Layer of decorative paper glued to a wood conglomerate panel (made of wood fibers that are shredded, mixed with a binder and pressed).

Laminate is more resistant than melamine because of its thickness.

Melamine and laminate have hard, non-porous surfaces. They are therefore very sanitary and easy to clean.

Exposure to light (UV rays) may slightly alter nuances over time.

Daily care

Clean regularly with a paper towel, soft cloth (dry or damp) or a sponge (when damp cleaning, wipe well). Repeated use of household products for furniture, or waxing products may cause a sticky, unsightly layer to form. Refer to the installation instructions for general installation and care recommendations.

Specific stains

Light or recent stains: Dry or damp clean with paper towel, soft cloth or a sponge (when damp cleaning, wipe well).

Average or fairly old spots: Use extremely hot water and common, non-abrasive cleaning products (dishwashing liquid, soaps). Persistent or old spots: Apply dishwashing liquid or washing powder/ water paste to spot overnight. If some spots persist, try solvents or weak acid (for scale).

Lacquer/Polyurethane gloss finish

Caution! This product has a film covering but this does not protect it against impacts. Proceed with care when assembling, and remove film after installation.

Description

Wood finish made from resin.

These polyurethane lacquers may have three different sheens: Gloss, satin or soft.

Though the polyurethane finish used on Kohler furniture is highly durable to UV, but over the years, they may start to discolor lightly as no finish is 100% UV resistant.

Daily care

Only use soapy water or a glass cleaner with a sponge; dry with a soft cloth. Note that PU/lacquered finishes can be easily scratched (resistant upto pencil hardness scratches) so always take care, particularly when cleaning

Specific stains

Recent stains or food stains: Clean with a soft cloth dipped in soapy water; then dry with a soft cloth.

Ballpoint pen or felt-tipped pen marks: Use rubbing alcohol. Test on a discrete location.

Nail polish: Carefully use acetone-free nail polish remover and a cotton swab for limited application. Test on a discrete area beforehand.

Wood veneer

Description

BWR Ply (Boiling Water Resistant) panel covered with a thin sheet of stained, varnished wood, which determines product appearance. Since this is a natural material, each piece is unique and differences in shades cannot be considered defects.

As opposed to solid wood, veneer will not change in shape; however, like all wood, it tends to acquire a patina over time from exposure to light (UV rays).

Daily care

Only use soapy water or a glass cleaner with a sponge; dry with a soft cloth.

Refer to the installation instructions for general installation and care recommendations.

Specific stains

Recent stains or food stains: Clean with a soft cloth dipped in soapy water; then dry with a soft cloth.

Ballpoint or felt-tipped pen marks: Use rubbing alcohol. Test on a discrete area of the furniture beforehand.

Nail polish: Carefully use acetone-free nail polish remover and a cotton swab for limited application. Test on a discrete area beforehand.

Solid wood

Description

Solid wood covered with a special anti-UV clear-coat lacquering/varnish. Smooth and even to the touch. Since this is a living material, each piece is unique, and therefore differences in shades cannot be considered defects.

Common oak: Yellowish-white wood with a coarse grain and straight lines.

Daily use

Only use soapy water or a glass cleaner with a sponge; dry with a soft cloth.

Specific stains

Food stains: Clean with soapy water, rinse and dry with a soft cloth.

Natural clay powder is effective on grease stains.

Ballpoint or felt-tipped pen marks: Use rubbing alcohol or white spirits, lemon juice or an anti-rust product.

Nail polish: Carefully use acetone-free nail polish remover and a cotton swab for limited application. Test on a discrete area of the furniture beforehand.

Care and Cleaning Guidelines

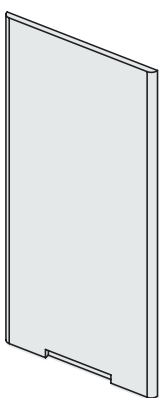
- Always test your cleaning solution on an inconspicuous area on the product before applying it to the entire surface.
- Do not allow cleaners to sit or soak on the product.
- Use a soft, dampened sponge or cloth to clean. Never use abrasive material like a bristle brush or scouring pad.
- Wipe surfaces clean and rinse completely with water immediately after applying cleaners.

CLEANING INSTRUCTIONS

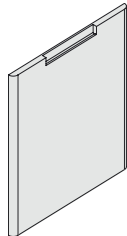


SPARE PARTS

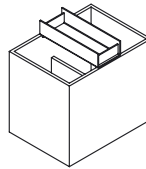
S.NO	PART NUMBER	DESCRIPTION
1.	1328935	Front panel assembly top door (6105001)
2.	1328936	Front panel assembly bottom drawers (kb6435)
3.	1328937	Drawer long column 270 (6087-6089-6088-6415-6086 kb)
4.	1328938	Cash drawer (6091-6434-6078-6098 kb)
5.	1328939	Invisible slide kit L270,L300 right/left with fasteners
6.	1328781	Installation kit for steel plates with fasteners
7.	1328954	Hettich 110° soft close Hinge-W8645i



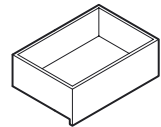
1328935



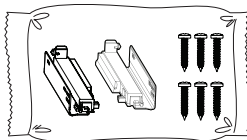
1328936



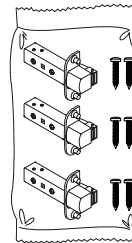
1328937



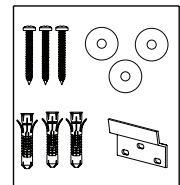
1328938



1328939



1328954



1328781

x2

THE BOLD LOOK
OF **KOHLER**®

Kohler India Corporation Pvt. Ltd.

6th Floor, Office Tower, Ambience Island,
NH-8, Gurugram-122002, Haryana, INDIA.

Customer Care : 1800 103 2244 (Toll Free) &
+91-124-4319685 / 86

Email : indiacustomer@kohler.com

Website: www.kohler.co.in

All information is based on the latest product information available at the time of publication. Kohler Co. reserves the right to make changes in product characteristics, packaging or availability at any time without notice.